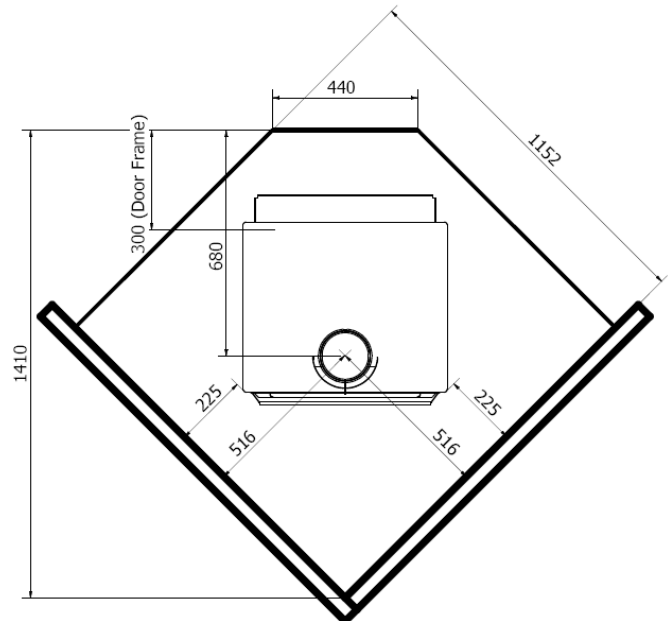
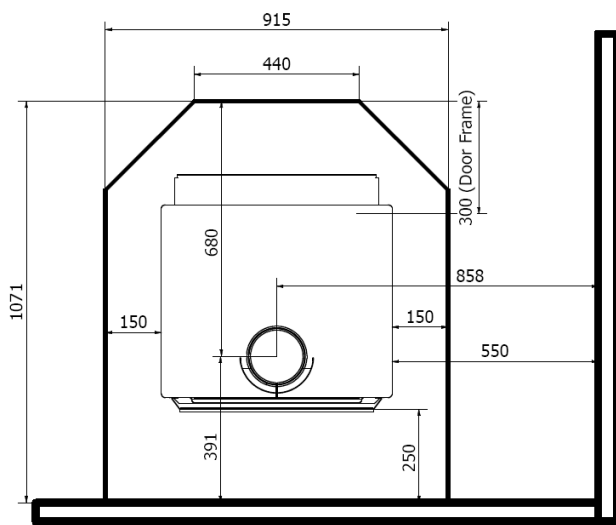




Installation Specifications

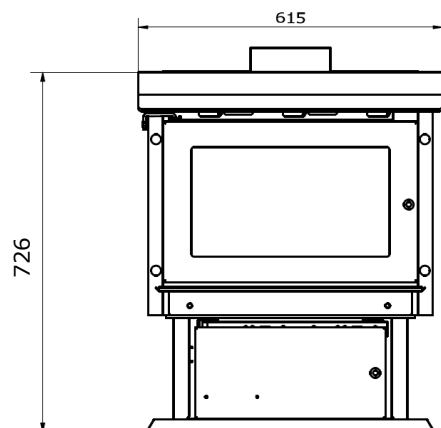
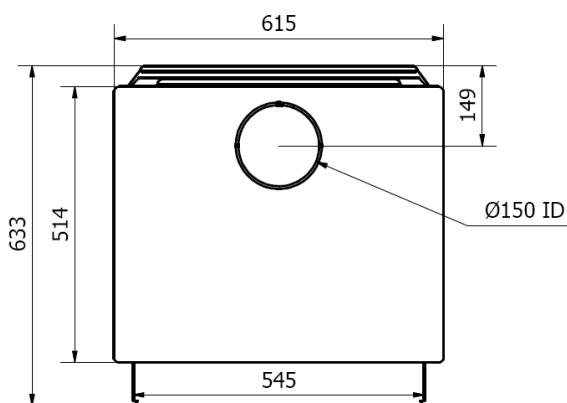
Tested to AS/NZS 2918:2001

Minimum Clearance & Hearth Dimensions



- Floor Protector Material: Minimum of 8mm Tiles, no additional insulation is required.
- Clearances are with a 1200mm high single heat shield fitted to the flue 10mm above the top plate of the fire box.

Appliance Dimensions



Proudly Manufactured By:



New Zealand's leading supplier of advice and fires.